



# Delphi injector Catalogue

Update 10/2020



**OEM CODES AND PARTS NUMBERS ARE  
GIVEN FOR REFERENCE PURPOSE ONLY**

[2]



## ABBREVIATIONS

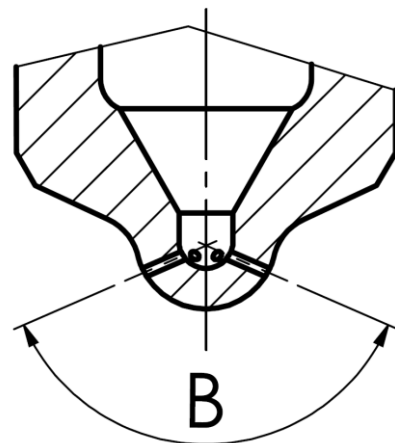
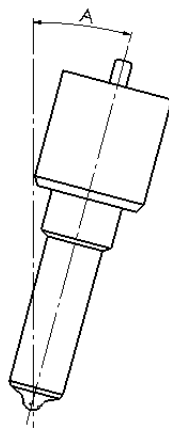
### - Holes

In this section are reported the information about how many micro holes there are and their diameter, in this following way: <N.microholes> x <Diameter microholes>

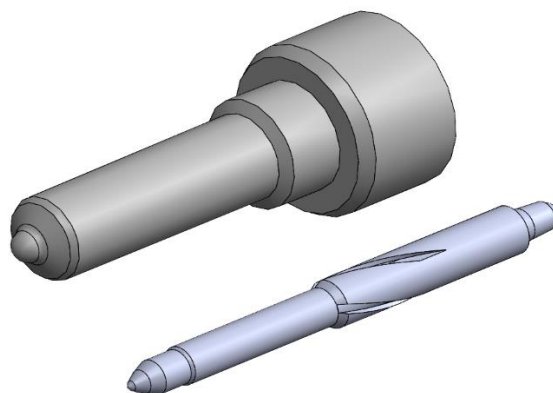
### - Angles

In this section are reported the information related to nozzle and micro holes angular position

Engine Angle	Spray Angle
A	B



## Delphi nozzle



FIRAD code	DELPHI® Stamping	DELPHI® Injector Code	OE code	Vehicle/ Engine
ALLA130FL022	L 022 PBC			
ALRL023	L 023 PBC	BEBE2A01001		LAND ROVER Discovery 2.5 III
ASLA142FL030	L 030 PBC	BEBE2A00101		LAND ROVER Discovery 2.5 II
ALLA143FL283	L 283 PBJ			
ASLA144FL087	L 087 PBD	EJBR02101Z 28232242 HRD336		DACIA Logan 1.5 NISSAN Kubistar 1.5 RENAULT Clio, Kangoo, Modus, Symbol, Thalia SUZUKI Jimny
ASLA144FL120	L 120 PBD	EJBR01801A 28232248 HRD337 EJB04001D		NISSAN Kubistar 1.5 REANULT Clio, Grand Scenic, Kangoo, Megane, Modus, Scenic, Symbol, Thalia
ALLA145FL077	L 077 PBD			
ALLA145FL311	L 311 PBC			
ASLA146FL109	L 109 PBD			
ASLA146FL138	L 138 PBD	EJBR02601Z EJBR04601D R04601D HRD341		SSANGYONG Kyron, Rexton, Rodius
ALLA146FL263	L 263 PBC			
ALLA146FL271	L 271 PBJ			
ALLA148FL216	L 216 PBC			
ASLA148FL157	L 157 PBD	EJBR03401D R04701D HRD340		SSANGYONG Actyon, Kyron
AFFL079	L 079 PBD	D02701D		
ALLA149FL042	L 024 PBC			

[4]

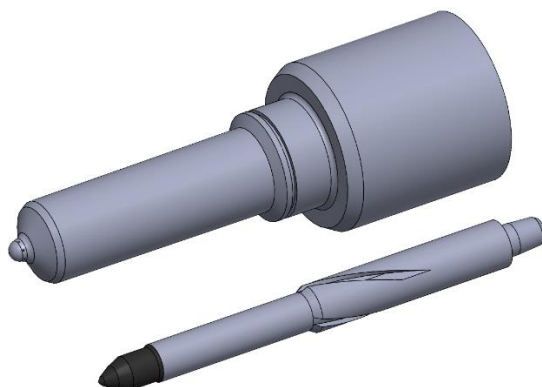


ALLA149FL207	L 027 PBC			
ASLA150FL097	L 097 PBD	EJBR02801D EJBR03601D R02801D HRD332		KIA Carnival, Sedona
ALLA150FL121	L 121 PBD	EJBR01302Z R02201Z HRD321 EJBR01601Z EJBR02201Z		FORD Focus, Tourneo, Transit
ALLA150FL229	L 229 PBC			
ALLA150FL194	L 194 PBC			
ALLA150FL053	L 053 PBC			
ALLA150FL076	L 076 PBD			
ALLA150FL381	L 381 PRD	EJBR05102D 28232251 HRD339		DACIA Dokker, Duster, Lodgy, Sandero MERCEDES Citan NISSAN Cubistar, Micra, Note RENAULT Captur, Clio
ALLA150FL052	L 052 PBC			
ALLA150FL236	D 236			
ALLA150FL240	L 240 PBC			
ALLA150FL322	L 322 PBC			
ALLA150FL358	L 358 PBC			
ALLA152FL025	L 025 PBC	BEBE4C0010 HRE112	VOLVO 20430583	RENAULT Magnum 480, 440 VOLVO FH 12 FH, NH 12 NH
ALLA152FL028	L 028 PBC	BEBE4C01101 BEBE4C01001 HRE113	VOLVO 20440388	VOLVO B12B, B9L 9, FH 12 FH, NH 12 NH, FM 9FM9
ALLA152FL045	L 045PBC			
ALLA152FL222	L 222 PBC			
ALLA152FL221	L 221 PBC			
ALLA152FL233	L 233 PBC			
ALLA152FL215	L 215 PBC			
ALLA152FL232	L 232 PBC			
ALLA152FL325	L 325 PBC			
ASLA153FL096	L 096 PBD	EJDR00301Z R00301Z HRD322		FORD Mondeo
ALLA153FL195	L 195 PBC			
ASLA154FL133	E 133	EJDR00501Z R00501Z HRD324		FORD Mondeo JAGUAR X Type
ASLA154FL134	L 134 PBD			
ASLA154FL135	L 135 PBD	EJDR00503Z EJDR00504Z R00504Z		FORD Mondeo JAGUAR X Type

[5]



		HRD326		
<b>ASLA154FL145</b>	L 145 PBD			
<b>ALLA154FL223</b>	L 223 PBC			
<b>ALLA154FL026</b>	L 026 PBC	BEBE4C03001 BEBE4C03101 HRE114	VOLVO 20500620	VOLVO B9L 9
<b>ALLA154FL211</b>	L 211 PBC			
<b>ALLA155FL210</b>	L 210 PBC			
<b>AFTL128</b>	L 128 PBD			
<b>ASLA156FL136</b>	L 136 PBD	EJBR02501Z EJBR03001D R03001D HRD333		KIA Bongo, Frontier, Pregio
<b>ALLA156FL281</b>	D 281			
<b>ALLA156FL357</b>	L 357 PBC			
<b>ASLA158FL137</b>	L 137 PBD	EJBR02401Z R03701D HRD334 EJBR02901D EJBR03701D		HYUNDAI Terracan
<b>ALR3419</b>	HBX 6963419			



<b>FIRAD code</b>	<b>DELPHI® Stamping</b>	<b>DELPHI® Injector Code</b>	<b>OE code</b>	<b>Vehicle/ Engine</b>
<b>ALLA152DP375</b>	E375	28236381		HYUNDAI H1, i800, Starex
<b>ALLA144DP430</b>	J430	28347042		BOBCAT A, S T series DOOSAN D engines TONG YANG MOOLSAN T series
<b>ALLA142DP441</b>	J441	28337917	BobCat 7030364	BOBCAT Toolcat BOBCAT E, S, T series DOOSAN D engines

[6]

FIRAD S.p.A. ® - Via Barge 93, 12031 Bagnolo Piemonte (CN) - ITALY

[www.firad.com](http://www.firad.com) – [www.firad.it](http://www.firad.it) - contact: info@firad.it Phone (+39) 0175.392251 - Fax (+39) 0175.392540



## Delphi nozzle geometric features

FIRAD code	DELPHI® Stamping	DELPHI® Injector Code	Engine angle	Spray angle	Holes
<b>ALLA130FL022</b>	L 022 PBC		0°	130°	6 x 0,230
<b>ALRL023</b>	L 023 PBC	BEBE2A01001	9°30'	136°	6 x 0,160
<b>ALLA142DP441</b>	J441	28337917	0°	142°	7 x 0,125
<b>ASLA142FL030</b>	L 030 PBC	BEBE2A00101	8°	142°	6 x 0,185
<b>ALLA143FL283</b>	L 283 PBJ		6°	143°	6 X 0,220
<b>ALLA144DP430</b>	J430	28347042	0°	144°	7 x 0,145
<b>ASLA144FL087</b>	L 087 PBD	EJBR02101Z 28232242 HRD336	13°30'	144°	5 X 0,145
<b>ASLA144FL120</b>	L 120 PBD	EJBR01801A 28232248 HRD337 EJB04001D	13°30'	144	5 x 0,150
<b>ALLA145FL077</b>	L 077 PBD		0°	145°	6 x 0,160
<b>ALLA145FL311</b>	L 311 PBC		0°	145°	6 x 0,205
<b>ASLA146FL109</b>	L 109 PBD		0°	146°	6 x 0,130
<b>ASLA146FL138</b>	L 138 PBD	EJBR02601Z EJBR04601D R04601D HRD341	0°	146°	5 x 0,180
<b>ALLA146FL263</b>	L 263 PBC		0°	146°	6 x 0,295
<b>ALLA146FL271</b>	L 271 PBJ		0°	146°	6 x 0,215
<b>ALLA148FL216</b>	L 216 PBC		0°	148°	5 x 0,250
<b>ASLA148FL157</b>	L 157 PBD	EJBR03401D R04701D HRD340	0°	148°	6 x 0,155
<b>AFFL079</b>	L 079 PBD	D02701D	19°30'	148°	5 x 0,170
<b>ALLA149FL042</b>	L 024 PBC		0°	149°	6 x 0,260
<b>ALLA149FL207</b>	L 027 PBC		0°	149°	5 x 0,215
<b>ASLA150FL097</b>	L 097 PBD	EJBR02801D EJBR03601D R02801D HRD332	0°	150°	6 x 0,180
<b>ALLA150FL121</b>	L 121 PBD	EJBR01302Z R02201Z HRD321 EJBR01601Z EJBR02201Z	19°30'	150°	6 x 0,150
<b>ALLA150FL229</b>	L 229 PBC		0°	150°	6 x 0,270

[7]



<b>ALLA150FL194</b>	L 194 PBC		0°	150°	6 x 0,205
<b>ALLA150FL053</b>	L 053 PBC		0°	150°	7 x 0,200
<b>ALLA150FL076</b>	L 076 PBD		0°	150°	6 x 0,150
<b>ALLA150FL381</b>	L 381 PRD	EJBR05102D 28232251 HRD339	13°	150°	6 x 0,115
<b>ALLA150FL052</b>	L 052 PBC		0°	150°	0,230
<b>ALLA150FL236</b>	D 236		0°	150°	7 x 0,135
<b>ALLA150FL240</b>	L 240 PBC		0°	150°	5 x 0,230
<b>ALLA150FL322</b>	L 322 PBC		0°	150°	6 x 0,240
<b>ALLA150FL358</b>	L 358 PBC		0°	150°	6 x 0,240
<b>ALLA152DP375</b>	E375	28236381	0°	152°	8 x 0,130
<b>ALLA152FL025</b>	L 025 PBC	BEBE4C0010 HRE112	0°	152°	5 x 0,255
<b>ALLA152FL028</b>	L 028 PBC	BEBE4C01101 BEBE4C01001 HRE113	0°	152°	5 x 0,250
<b>ALLA152FL045</b>	L 045PBC		0°	152°	6 x 0,245
<b>ALLA152FL222</b>	L 222 PBC		0°	152°	5 x 0,245
<b>ALLA152FL221</b>	L 221 PBC		0°	152°	5 x 0,255
<b>ALLA152FL233</b>	L 233 PBC		0°	152°	6 x 0,225
<b>ALLA152FL215</b>	L 215 PBC		0°	152°	5 x 0,280
<b>ALLA152FL232</b>	L 232 PBC		0°	152°	6 x 0,250
<b>ALLA152FL325</b>	L 325 PBC		0°	152	6 x 0,245
<b>ASLA153FL096</b>	L 096 PBD	EJDR00301Z R00301Z HRD322	0°	153°	6 x 0,150
<b>ALLA153FL195</b>	L 195 PBC		0°	153°	6 x 0,205
<b>ASLA154FL133</b>	E 133	EJDR00501Z R00501Z HRD324	0°	154°	6 x 0,150
<b>ASLA154FL134</b>	L 134 PBD		0°	154°	6 x 0,140
<b>ASLA154FL135</b>	L 135 PBD	EJDR00503Z EJDR00504Z R00504Z HRD326	0°	154°	7 x 0,130
<b>ASLA154FL145</b>	L 145 PBD		0°	154°	6 x 0,110
<b>ALLA154FL223</b>	L 223 PBC		0°	154°	5 x 0,225
<b>ALLA154FL026</b>	L 026 PBC	BEBE4C03001 BEBE4C03101 HRE114	0°	154°	5 x 0,225
<b>ALLA154FL211</b>	L 211 PBC		0°	154°	5 x 0,230
<b>ALLA155FL210</b>	L 210 PBC		0°	155°	5 x 0,245
<b>AFTL128</b>	L 128 PBD		0°	155°	6 x 0,140





<b>ASLA156FL136</b>	L 136 PBD	EJBR02501Z EJBR03001D R03001D HRD333	0°	156°	6 x 0,180
<b>ALLA156FL281</b>	D 281		0°	156°	7 x 0,120
<b>ALLA156FL357</b>	L 357 PBC		0°	156°	6 x 0,230
<b>ASLA158FL137</b>	L 137 PBD	EJBR02401Z R03701D HRD334 EJBR02901D EJBR03701D	0°	158°	6 x 0,160
<b>ALR3419</b>	HBX 6963419		9°30'		6 x 0,160

