



Denso injector

Catalogue

Update 10/2020

FIRAD S.p.A. [®] - Via Barge 93, 12031 Bagnolo Piemonte (CN) - ITALY

www.firad.com – www.firad.it - contact: info@firad.it Phone (+39) 0175.392251 - Fax (+39) 0175.392540



**OEM CODES AND PARTS NUMBERS ARE
GIVEN FOR REFERENCE PURPOSE ONLY**

[2]



ABBREVIATIONS

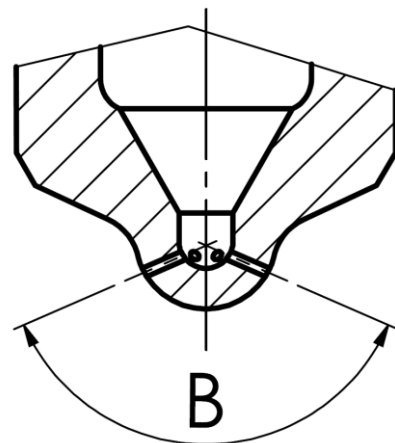
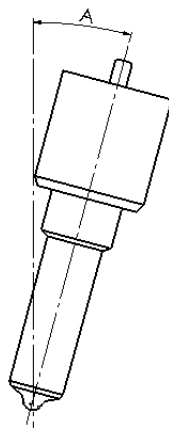
- Holes

In this section are reported the information about how many micro holes there are and their diameter, in this following way: <N.microholes> x <Diameter microholes>

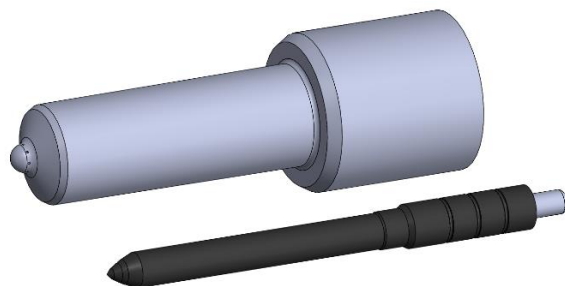
- Angles

In this section are reported the information related to nozzle and micro holes angular position

Engine Angle	Spray Angle
A	B



Denso nozzle (1st and 2nd Generation)



FIRAD code	DENSO® Stamping	DENSO® Injector Code	DENSO® New injector code	DENSO® P/N	OE code	Vehicle/ Engine
ALLA 138 P 934-J	DLLA 138 P 934	095000-6280		093400-9340		
ALLA 142 P 793-J	DLLA 142 P 793	095000-0801		093400-7930		ISUZU – 6SD1 Engine ver. Hong Kong
ALLA 142 P 852-J	DLLA 142 P 852	095000-1210		093400-8520		
ALLA 143 P 761-J	DLLA 143 P 761	095000-0562		093400-7610		ISUZU – 4HK1/6HK1 Engines
ALLA 144 P 690-J	DLLA 144 P 690	095000-0145		093400-6900		ISUZU -4HK1/6HK1 Engines
ALLA 145 P 748-J	DLLA 45 P 748			093400-7480		
ALLA 148 P 915-J	DLLA 148 P 915	095000-6070		093400-9150		
ALLA 149 P 786-J	DLLA 149 P 786	095000-0761		093400-7860		KOMATSU (6156-11-330)
ALLA 150 P 835-J	DLLA 150 P 835	095000-5214		093400-8350		ISUZU 6WG1 Engine HITACHI
ALLA 150 P 991-J	DLLA 150 P 991	095000-7172		093400-9910		
ALLA 151 P 771-J	DLLA 151 P 771	095000-0722		093400-7710		ISUZU NISSAN
ALLA 152 P 798-J	DLLA 152 P 798	095000-5014		093400-7980		ISUZU 4HJ1 Engine NISSAN E13C Engine
ALLA 152 P 865-J	DLLA 152 P 865	095000-5510		093400-8650		HINO (E13C Engine)
ALLA 152 P 929-J	DLLA 152 P 929	095000-6303		093400-9290		
ALLA 152 P 1097-J	DLLA 152 P 1097			093400-1097		
ALLA 154 P 669-J	DLLA 154 P 669			093400-6690		ISUZU
ALLA 155 P 683-J	DLLA 155 P 683			093400-6830		
ALLA 155 P 767-J	DLLA 155 P 767	095000-0582		093400-7670		
ALLA 155 P 842-J	DLLA 155 P 842	095000-6591 095000-6593		093400-8420		Hino (Motor J08E)
ALLA 155 P 848-J	DLLA 155 P 848	095000-6350 095000-6353		093400-8480		ISUZU
ALLA 155 P 856-J	DLLA 155 P 856	095000-6603		093400-8560		
ALLA 156 P 799-J	DLLA 156 P 799	095000-5004		093400-7990		ISUZU 6WG1 Engine HITACHI

[4]

FIRAD S.p.A. ® - Via Barge 93, 12031 Bagnolo Piemonte (CN) - ITALY

www.firad.com – www.firad.it - contact: info@firad.it Phone (+39) 0175.392251 - Fax (+39) 0175.392540



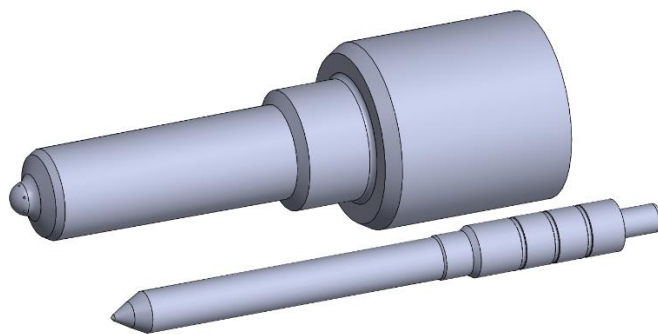
FIRAD code	DENSO [®] Stamping	DENSO [®] Injector Code	DENSO [®] New injector code	DENSO [®] P/N	OE code	Vehicle/ Engine
ALLA 156 P 910-J	DLLA 156 P 910			093400-9100		
ALLA 157 P 855-J	DLLA 157 P 855	095000-5450		093400-8550		
ALLA 157 P 969-J	DLLA 157 P 969	095000-8621		093400-9690		
ALLA 158 P 834-J	DLLA 158 P 834	095000-5226		093400-8340		Hino (Motor P13C)
ALLA 158 P 844-J	DLLA 158 P 844	095000-5342		093400-8440		HINO
ALLA 158 P 854-J	DLLA 158 P 854	095000-5471 095000-5474		093400-8540		ISUZU 6HK1 ISUZU 4HK1 Sinotruck 230/350/450 Hitachi
ALLA 158 P 909-J	DLLA 158 P 909	095000-5972		093400-9090		
ALLA 158 P 984-J	DLLA 158 P 984	095000-637X		093400-9840		
ALLA 158 P 1092-J	DLLA 158 P 1092	095000-5344		093400-1062		
ALLA 158 P 1096-J	DLLA 158 P 1096	095000-8901		093400-1096		ISUZU VOLVO SERIES 7

[5]

FIRAD S.p.A. [®] - Via Barge 93, 12031 Bagnolo Piemonte (CN) - ITALY

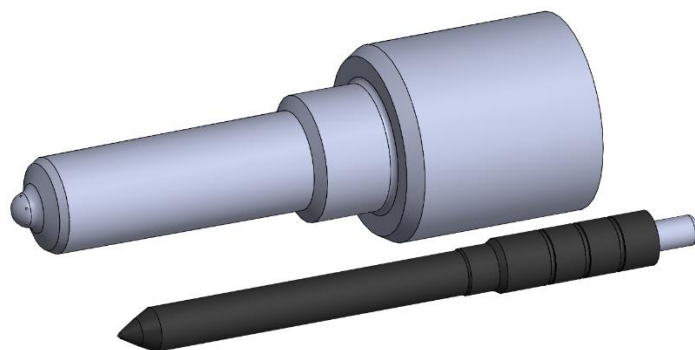
www.firad.com – www.firad.it - contact: info@firad.it Phone (+39) 0175.392251 - Fax (+39) 0175.392540





FIRAD code	DENSO® Stamping	DENSO® Injector Code	DENSO® New injector code	DENSO® P/N	OE code	Vehicle/ Engine
ALLA 150 P 24-J	DLLA 150 P 24					
ALLA 150 P 59-J	DLLA 150 P 59			093400-5590		
ALLA 150 P 61-J	DLLA 150 P 61					
ALLA 152 P 69-J	DLLA 152 P 69					
ALLA 155 P 16-J	DLLA 155 P 16			093400-5160	TOYOTA 23620-56010	
ALLA 155 P 84-J	DLLA 155 P 84					
ALLA 160 P 3-J	DLLA 160 P 3			093400-5030		
ALLA 160 P 50-J	DLLA 160 P 50			093400-5500		





FIRAD code	DENSO [®] Stamping	DENSO [®] Injector Code	DENSO [®] New injector code	DENSO [®] P/N	OE code	Vehicle/ Engine
ALLA 125 P 889-J	DLLA 125 P 889	095000-6480		093400-8890	John Deere RE 529149	John Deere Engine 8530/3520/3530
ALLA 127 P 944-J	DLLA 127 P 944	095000-631X		093400-9440		John Deere application 6830 SE
ALLA 127 P 945-J	DLLA 127 P 945	095000-632X		093400-9450		John Deere 4045T, 6068T, S350
ALLA 127 P 1098-J	DLLA 127 P 1098			09400-1098		
ALLA 129 P 890-J	DLLA 129 P 890	095000-6470		093400-8900		John Deere application
ALLA 129 P 983-J	DLLA 129 P 983	095000-688X		093400-9830		John Deere application
ALLA 133 P 814-J	DLLA 133 P 814	095000-505X		093400-8140	John Deere RE 507860	John Deere Series 9970
ALLA 133 P 888-J	DLLA 133 P 888	095000-6460		093400-8880		John Deere Skidder 8.1 L
ALLA 139 P 851-J	DLLA 139 P 851	095000-5480		093400-8510		John Deere 4045H Series 6820
ALLA 139 P 887-J	DLLA 139 P 887	095000-6490		093400-8870	John Deere RE 529118	John Deere D 7430 Engine 6068HL482
ALLA 139 P 925-J	DLLA 139 P 925	095000-6500		093400-9250	John Deere RE529414 John Deere RE529117	John Deere Series 30 John Deere 6501
ALLA 145 P 864-J	DLLA 145 P 864	095000-5930	DCRI107760	093400-8640	TOYOTA 23670-09060 TOYOTA 23670-09061 TOYOTA 23670-09360 TOYOTA 23670-0L010 TOYOTA 23670-0L070 TOYOTA 23670-30240 TOYOTA 23670-30300 TOYOTA 23670-39235 TOYOTA 23670-39275 TOYOTA 23670-39276	TOYOTA VIGO TOYOTA HILUX 2.5 2KD TOYOTA HIACE
ALLA 145 P 870-J	DLLA 145 P 870	095000-5600	DCRI105600	093400-8700	MITSUBISHI 1465A041	MITSUBISHI L 200 MITSUBISHI TRITON MITSUBISHI PAJERO
ALLA 145 P 875-J	DLLA 145 P 875	095000-8750		093400-8750		MITSUBISHI PAJERO MITSUBISHI TRITON L200
ALLA 145 P 1024-J	DLLA 145 P 1024	095000-5931		093400-0240 093400-1024		TOYOTA HILUX 2.5 D-4D
ALLA 145 P 1031-J	DLLA 145 P 1031	095000-7500	DCRI107500		MITSUBISHI 1465A279	MITSUBISHI PAJERO

[7]

FIRAD S.p.A. [®] - Via Barge 93, 12031 Bagnolo Piemonte (CN) - ITALY

www.firad.com – www.firad.it - contact: info@firad.it Phone (+39) 0175.392251 - Fax (+39) 0175.392540



FIRAD code	DENSO® Stamping	DENSO® Injector Code	DENSO® New injector code	DENSO® P/N	OE code	Vehicle/ Engine
ALLA 145 P 1049-J	DLLA 145 P 1049	095000-8011		093400-1049		
ALLA 145 P 1091-J	DLLA 145 P 1091			093400-1091		
ALLA 147 P 747-J	DLLA 147 P 747	095000-0570	DCRI100570	093400-7470	TOYOTA 23670-27010 TOYOTA 23670-27030 TOYOTA 23670-29015 TOYOTA 23670-29035 TOYOTA 23670-29036	TOYOTA AVENSIS TOYOTA RAV 4 TOYOTA PREVIA
ALLA 147 P 962-J	DLLA 147 P 962	095000-7011		093400-9620		
ALLA 148 P 763-J	DLLA 148 P 763	095000-0540				John Deere 8.1
ALLA 148 P 764-J	DLLA 148 P 764	095000-0551			John Deere RE501010	
ALLA 148 P 765-J	DLLA 148 P 765	095000-0510	DCRI100510	093400-7650	NISSAN 16600-8H800	NISSANX-TRIAL 2.2
ALLA 148 P 800-J	DLLA 148 P 800			093400-8000		NISSAN PRIMERA
ALLA 148 P 816-J	DLLA 148 P 816	095000-5130		093400-8160		NISSAN XTRAIL
ALLA 148 P 817-J	DLLA 148 P 817	095000-5084		093400-8170		OPEL ASTRA 1.7 CDTI
ALLA 148 P 826-J	DLLA 148 P 826	095000-5190		093400-8260		John Deere Series 8220
ALLA 148 P 872-J	DLLA 148 P 872	095000-5650	DCRI105650	093400-872	NISSAN 16600-EB300 NISSAN 16600-EB30E	NISSAN NAVARA NISSAN PATHFINDER NISSAN PICK UP
ALLA 148 P 924-J	DLLA 148 P 924	095000-6130	DCRI106130	093400-924	ISUZU 8-97376270-0 ISUZU 8-97376270-1 ISUZU 8-97376270-2 ISUZU 8-97376270-3 ISUZU 8-97376270-4 ISUZU 8-97376270-5 ISUZU 8-97376270-6 ISUZU 8-97376270-7 ISUZU 8-97376270-8 ISUZU 8-97376270-9 OPEL 5821102 VAUXHALL 97376270	OPEL ASTRA OPEL CORSA OPEL MERIVA OPEL ZAFIRA VAUXHALL ASTRA VAUXHALL CORSA VAUXHALL MERIVA VAUXHALL ZAFIRA
ALLA 148 P 932-J	DLLA 148 P 932	095000-6240 095000-624002D	DCRI106240	093400-8720	NISSAN 16600-MB40A NISSAN 16600-MB40E NISSAN 16600-VM00D	NISSAN CABSTAR NISSAN CV CABSTAR NISSAN FRONTIER
ALLA 149 P 1036-J	DLLA 149 P 1036	095000-7560		093400-1036		John Deere 3510
ALLA 150 P 815-J	DLLA 150 P 815	095000-7580	DCRI107580	093400-8150	TOYOTA 23670-09030 TOYOTA 23670-09031 TOYOTA 23670-09220 TOYOTA 23670-09250 TOYOTA 23670-0G010 TOYOTA 23670-0G020 TOYOTA 23670-0G030 TOYOTA 23670-0G040	TOYOTA AVENSIS VERSO 2.0
ALLA 150 P 866-J	DLLA 150 P 866	095000-5550		093400-8660		
ALLA 150 P 914-J	DLLA 150 P 914	095000-5951		093400-9140		



FIRAD code	DENSO® Stamping	DENSO® Injector Code	DENSO® New injector code	DENSO® P/N	OE code	Vehicle/ Engine
ALLA 150 P 927-J	DLLA 150 P 927	095000-6222 095000-5940		093400-9270		
ALLA 150 P 966-J	DLLA 150 P 966	095000-6770		093400-6770		
ALLA 150 P 1052-J	DLLA 150 P 1052	095000-8100		093400-1052		
ALLA 150 P 1059-J	DLLA 150 P 1059	095000-8310		093400-1059		HYUNDAI mighty county
ALLA 150 P 1113-J	DLLA 150 P 1113	095000-9690				
ALLA 152 P 805-J	DLLA 152 P 805	095000-5030	DCRI107850	093400-8050	MAZDA RF5C 13 H50 MAZDA RF5C 13 H50A MAZDA RF5C 13 H50B MAZDA RF5C 13 H50C MAZDA RFY0 13 H50 MAZDA RFY0 13 H50A MAZDA RFY0 13 H50B	MAZDA 5/6 2.0 MAZDA MPV II
ALLA 152 P 862-J	DLLA 152 P 862	095000-6100	DCRI106980	093400-8620	ISUZU 095000-6983 ISUZU 8-98011604-0 ISUZU 8-98011604-1 ISUZU 8-98011604-2 ISUZU 8-98011604-3 ISUZU 8-98011604-4 ISUZU 8-98011604-5 ISUZU 8-98011604-6 ISUZU 8-98011604-7 ISUZU 8-98011604-8 ISUZU 8-98011604-9 ISUZU 8-98055862-3	ISUZU DMAX / KB
ALLA 152 P 879-J	DLLA 152 P 879	095000-6693		093400-8790		
ALLA 152 P 947-J	DLLA 152 P 947	095000-6250 095000-625002D	DCRI106250	093400-9470	NISSAN 16600-EB700 NISSAN 16600-EB70D NISSAN 16600-EC00A NISSAN 16600-EC00C NISSAN 16600-EC00E	NISSAN NAVARA NISSAN NAVARA NISSAN NP300 NISSAN PATHFINDER NISSAN PICK UP
ALLA 152 P 980-J	DLLA 152 P 980	095000-6980	DCRI106980	093400-9800	ISUZU 095000-6983 ISUZU 8-98011604-0 ISUZU 8-98011604-1 ISUZU 8-98011604-2 ISUZU 8-98011604-3 ISUZU 8-98011604-4 ISUZU 8-98011604-5 ISUZU 8-98011604-6 ISUZU 8-98011604-7 ISUZU 8-98011604-8 ISUZU 8-98011604-9 ISUZU 8-98055862-3	ISUZU D-MAX I ISUZU KB ISUZU ELF 300
ALLA 152 P 981-J	DLLA 152 P 981	095000-6993		093400-9810		
ALLA 152 P 989-J	DLLA 152 P 989			093400-9890		
ALLA 152 P 1072-J	DLLA 152 P 1072	095000-8340		093400-1072	ISUZU 8-98106693-2	



FIRAD code	DENSO® Stamping	DENSO® Injector Code	DENSO® New injector code	DENSO® P/N	OE code	Vehicle/ Engine
ALLA 153 P 884-J	DLLA 153 P 884	095000-5800	DCRI105800	093400-8840	CITROEN/PEUGEOT 1980.J7 FIAT 71724128 FIAT 71794621 FORD 1372379 FORD 1378432 FORD 1812618 FORD 6C1Q-9K546-AB FORD 6C1Q-9K546-AC FORD RM6C1Q-9K546-AC	CITROËN JUMPER FIAT DUCATO FORD TRANSIT FORD TRANSIT 2.2 Tourneo PEUGEOT BOXER
ALLA 153 P 885-J	DLLA 153 P 885	095000-7060	DCRI107060	093400-8850	FORD 1495919 FORD 1545621 FORD 6C1Q-9K546-BB FORD 6C1Q-9K546-BC FORD RM6C1Q-9K546-BC LAND ROVER LR006803 LAND ROVER LR010137	FORD TRANSIT FORD TRANSIT Tourneo LAND ROVER DEFENDER
ALLA 153 P 958-J	DLLA 153 P 958	095000-663X		093400-9580		
ALLA 154 P 881-J	DLLA 154 P 881	095000-6290		093400-8810		
ALLA 155 P 750-J	DLLA 155 P 750					
ALLA 155 P 753-J	DLLA 155 P 753	095000-0750	DCRI100750	093400-7530	TOYOTA 23670-30020 TOYOTA 23670-39025 TOYOTA 23670-39026	TOYOTA LAND CRUISER
ALLA 155 P 818-J	DLLA 155 P 818					
ALLA 155 P 840-J	DLLA 155 P 840			093400-8400		
ALLA 155 P 863-J	DLLA 155 P 863	095000-5921		093400-8630		TOYOTA HILUX 3.0
ALLA 155 P 876-J	DLLA 155 P 876	095000-6040	DCRI107640		TOYOTA 23670-09140 TOYOTA 23670-09210 TOYOTA 23670-09290 TOYOTA 23670-0R020 TOYOTA 23670-0R070 TOYOTA 23670-0R120 TOYOTA 23670-0R170	TOYOTA COROLLA Verso TOYOTA RAV 4 III
ALLA 155 P 880-J	DLLA 155 P 880	095000-7030	DCRI107780	093400-8800	TOYOTA 23670-09070 TOYOTA 23670-09330 TOYOTA 23670-0L020 TOYOTA 23670-0L050 TOYOTA 23670-30140 TOYOTA 23670-30280 TOYOTA 23670-39185 TOYOTA 23670-39186 TOYOTA 23670-39215 TOYOTA 23670-39216 TOYOTA 23670-39316	TOYOTA HILUX III TOYOTA LAND CRUISER TOYOTA PRADO
ALLA 155 P 941-J	DLLA 155 P 941	095000-651X		093400-9410		
ALLA 155 P 960-J	DLLA 155 P 960	095000-7690		093400-960	TOYOTA 23670-0R050	
ALLA 155 P 965-J	DLLA 155 P 965	095000-6700		093400-9650		Sinotruck Howo

[10]

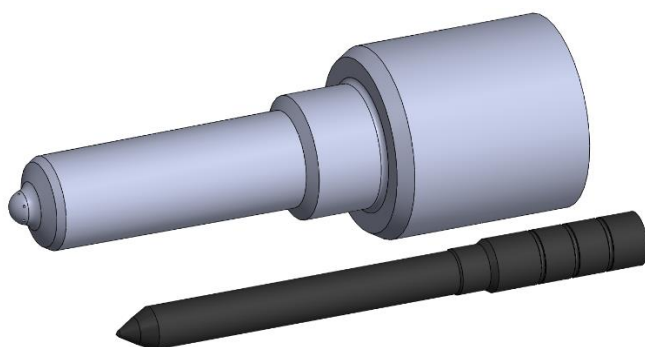
FIRAD S.p.A. ® - Via Barge 93, 12031 Bagnolo Piemonte (CN) - ITALY

www.firad.com – www.firad.it - contact: info@firad.it Phone (+39) 0175.392251 - Fax (+39) 0175.392540



FIRAD code	DENSO® Stamping	DENSO® Injector Code	DENSO® New injector code	DENSO® P/N	OE code	Vehicle/ Engine
ALLA 155 P 970-J	DLLA 155 P 970	095000-7530		093400-9700		
ALLA 155 P 971-J	DLLA 155 P 971	095000-8061 095000-7180		093400-9710		
ALLA 155 P 985-J	DLLA 155 P 985	095000-5890	DCRI107730	093400-9850	TOYOTA 23670-30080 TOYOTA 23670-30180 TOYOTA 23670-30210 TOYOTA 23670-30320 TOYOTA 23670-39135 TOYOTA 23670-39136 TOYOTA 23670-39155 TOYOTA 23670-39156 TOYOTA 23670-39295 TOYOTA 23670-39296	TOYOTA LAND CRUISER TOYOTA PRADO
ALLA 155 P 1025-J	DLLA 155 P 1025	095000-7781		093400-1025		
ALLA 155 P 1030-J	DLLA 155 P 1030			093400-1030		
ALLA 155 P 1044-J	DLLA 155 P 1044	095000-6520				
ALLA 155 P 1062-J	DLLA 155 P 1062	095000-8290	DCRI107780	093400-1062	TOYOTA 23670-09070 TOYOTA 23670-09330 TOYOTA 23670-0L020 TOYOTA 23670-0L050 TOYOTA 23670-30140 TOYOTA 23670-30280 TOYOTA 23670-39185 TOYOTA 23670-39186 TOYOTA 23670-39215 TOYOTA 23670-39216 TOYOTA 23670-39316	TOYOTA HILUX TOYOTA LAND CRUISER TOYOTA PRADO
ALLA 155 P 1090-J	DLLA 155 P 1090			093400-1090		HOWO SINOTRUCK



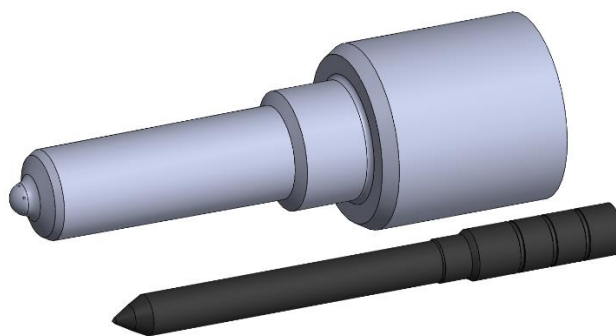


FIRAD code	DENSO [®] Stamping	DENSO [®] Injector Code	DENSO [®] New injector code	DENSO [®] P/N	OE code	Vehicle/ Engine
ALLA 146 P 768-J	DLLA 146 P 768			093400-7680		
ALLA 155 P 939-J	DLLA 155 P 939	095000-7670	DCRI107670	093400-9390	TOYOTA 23670-09180 TOYOTA 23670-09240 TOYOTA 23670-09280 TOYOTA 23670-0R030 TOYOTA 23670-0R140 TOYOTA 23670-0R190	TOYOTA AURIS TOYOTA AVENSIS TOYOTA COROLLA TOYOTA VERSO



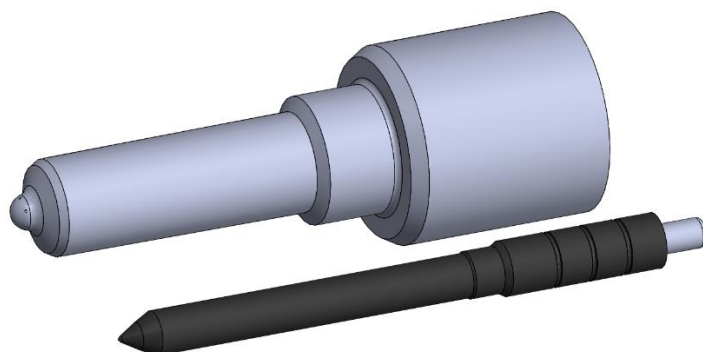
Denso nozzle 3rd Generation

(Needle Ø 3,50 mm)



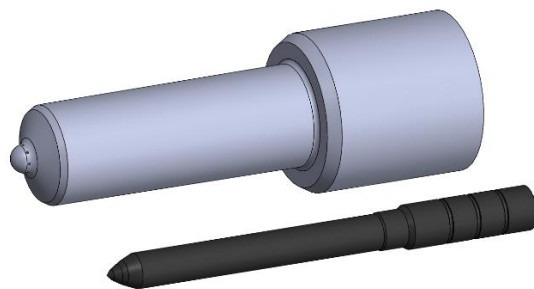
FIRAD code	DENSO® Stamping	DENSO® Injector Code	DENSO® New injector code	DENSO® P/N	OE code	Vehicle/ Engine
ALLA 146 G3S53	G3S53	529 6723 05T 14070 CRN52749 54				
ALLA 146 G3S112	G3S112	534 4766 2200 07S00263				
ALLA 152 G3S37	G3S37					
ALLA 152 G3S56	G3S56	528 4016 G3AM 12Q00065				
ALLA 152 G3S92	G3S92					
ALLA 153 G3S120	G3S120	536 5904 G3AM 06T03586				
ALLA 153 G3S127	G3S127	536 7913 G3AM 07T02467				
ALLA 154 G3S47	G3S47					ISUZU MAX 2.5





FIRAD code	DENSO® Stamping	DENSO® Injector Code	DENSO® New injector code	DENSO® P/N	OE code	Vehicle/ Engine
ALLA 144 G3S32	G3S32	295050-0560	DCRI300560		MITSUBISHI 1465A351	MITSUBISHI PAJERO Classic MITSUBISHI PAJERO IV
ALLA 144 G3S33	G3S33	295050-0810	DCRI300810		TOYOTA 23670-09380 TOYOTA 23670-OL110	TOYOTA HILUX 2.5 2KD
ALLA 145 G3S45	G3S45	295050-0890				
ALLA 145 G3S50	G3S50					
ALLA 148 G3S77	G3S77	295050-1760				
ALLA 151 G3S10	G3S10	295050-0300	DCRI300300		NISSAN 16600-1A0A NISSAN 16600-5X00A	NISSAN MURANO NISSAN NAVARA NISSAN NAVARA NISSAN NP300 NISSAN PATHFINDER NISSAN PICK UP
ALLA 150 G3S7	G3S7					
ALLA 152 G3S51	G3S51	166005X30A				NISSAN FRONTIER SeI 2.5
ALLA 152 G3S82	G3S82	D720112010 E1EC011610 01T01693				
ALLA 153 G3S48	G3S48					
ALLA 154 G3S6	G3S6	295050-0460 095050-052X	DCRI300460		TOYOTA 23670-30400 TOYOTA 23670-39365	TOYOTA HILUX 3.0 4WD TOYOTA LAND CRUISER TOYOTA PRADO

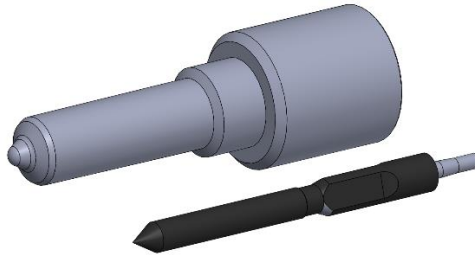




FIRAD code	DENSO [®] Stamping	DENSO [®] Injector Code	DENSO [®] New injector code	DENSO [®] P/N	OE code	Vehicle/ Engine
ALLA 133 G3S19	G3S19	095000-0590			John Deere RE545562 John Deere RE543351 John Deere SE502671	John Deere 4.5L, 6.8L, 8.1L, 9.0L Engine
ALLA 146 G3S11	G3S11					
ALLA 151 G3S79	G3S79	1590 04S 01012				
ALLA 151 G3S93	G3S93					
ALLA 153 G3S41	G3S41	295050-0760			Toyota 23670-E9260	HINO N04C engine
ALLA 154 G3S99	G3S99					
ALLA 158 G3S91	G3S91	15208630 11T01106 8982438630				



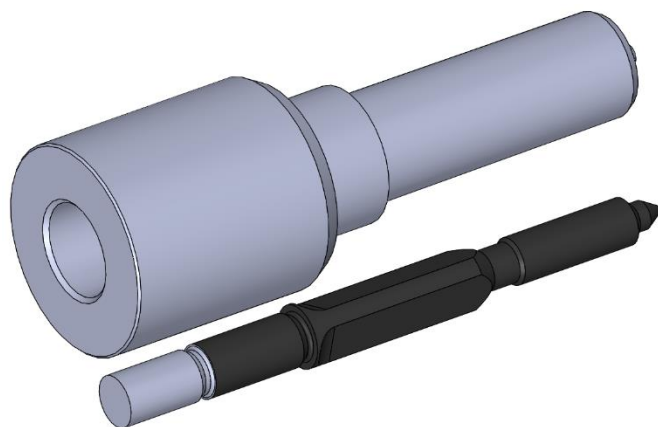
Denso piezoelectric nozzle 2nd Generation



FIRAD code	DENSO® Stamping	DENSO® Injector Code	DENSO® New injector code	DENSO® P/N	OE code	Vehicle/ Engine
ALLA 156 G2P3	G2P3	295900-0110	DCRI200110		TOYOTA 23670-0R040 TOYOTA 23670-0R041 TOYOTA 23670-26011 TOYOTA 23670-26020 TOYOTA 23670-26020-2 TOYOTA 23670-29055 TOYOTA 23670-29105	LEXUS IS II TOYOTA AURIS (E15) TOYOTA AVENSIS TOYOTA AVENSIS TOYOTA COROLLA TOYOTA RAV 4 III TOYOTA RAV 4 IV TOYOTA VERSO



Denso piezoelectric nozzle 3rd Generation



FIRAD code	DENSO® Stamping	DENSO® Injector Code	DENSO® New injector code	DENSO® P/N	OE code	Vehicle/ Engine
ALLA 152 G3P012	G3P012				TOYOTA 23670-30270	
ALLA 152 G3P004	G3P004					
ALLA 152 G3P016	G3P016	295900-0420	DCRI200420		LEXUS 23670-26061 LEXUS 23670-29125 LEXUS 23670-29126 TOYOTA 23670-0R090 TOYOTA 23670-0R091 TOYOTA 23670-26060	TOYOTA AVENSIS TOYOTA RAV 4 III TOYOTA RAV 4 IV
ALLA 154 G3P005	G3P005					
ALLA 154 G3P017	G3P017	295900-0430	DCRI200430		TOYOTA 23670-0R100 TOYOTA 23670-0R101 TOYOTA 23670-26070 TOYOTA 23670-26071 TOYOTA 23670-29115 TOYOTA 23670-29116	TOYOTA AURIS TOYOTA AVENSIS TOYOTA COROLLA TOYOTA VERSO
ALLA 155 G3P020	G3P020	295900-0480			TOYOTA 23670-51060	TOYOTA LANDCRUISER

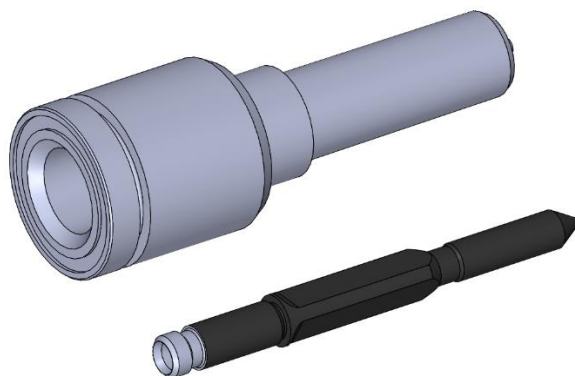
[17]

FIRAD S.p.A. ® - Via Barge 93, 12031 Bagnolo Piemonte (CN) - ITALY

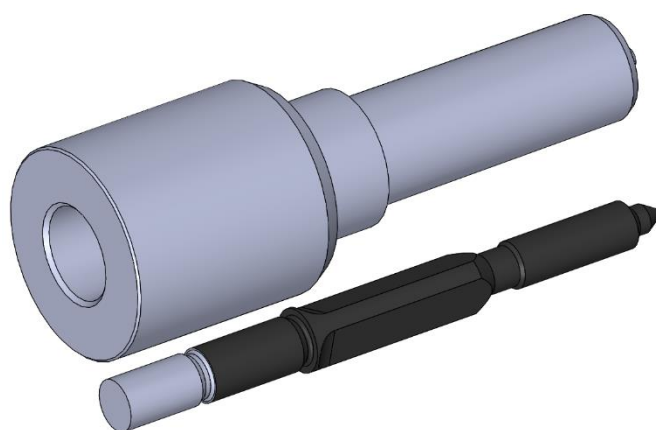
www.firad.com – www.firad.it - contact: info@firad.it Phone (+39) 0175.392251 - Fax (+39) 0175.392540



Denso nozzle 4th Generation



FIRAD code	DENSO [®] Stamping	DENSO [®] Injector Code	DENSO [®] New injector code	DENSO [®] P/N	OE code	Vehicle/ Engine
ALLA 150 G4S011	G4S011	295700-0140			HYUNDAI 33800-4A900	
ALLA 155 G4S009	G4S009	295700-0550			TOYOTA 23670-0E010	TOYOTA Hilux Revo 2.8L
ALLA 155 G4S023	G4S023				GM 12678992	
ALLA 156 G4S008	G4S008	295700-0560			Toyota 23670-0E020	TOYOTA HILUX REVO



FIRAD code	DENSO [®] Stamping	DENSO [®] Injector Code	DENSO [®] New injector code	DENSO [®] P/N	OE code	Vehicle/ Engine
ALLA 146 GCF1	GCF1	95000-1020				



Denso nozzle (1st and 2nd Generation) geometric features

FIRAD code	DENSO [®] Stamping	DENSO [®] Injector Code	DENSO [®] New injector code	DENSO [®] P/N	Engine angle	Spray angle	Holes	Needle diameter
ALLA 125 P 889-J	DLLA 125 P 889	095000-6480		093400-8890	0°	125°	6 x 0,200	4,00
ALLA 127 P 944-J	DLLA 127 P 944	095000-6310		093400-9440	14°	127°	5 x 0,180	4,00
ALLA 127 P 945-J	DLLA 127 P 945				14°	127°	5 x 0,155	4,00
ALLA 127 P 1098-J	DLLA 127 P 1098				14°	127°	5 x 0,190	4,00
ALLA 129 P 890-J	DLLA 129 P 890	095000-6470		093400-8900	0°	129°	6 x 0,185	4,00
ALLA 129 P 983-J	DLLA 129 P 983			093400-9831	0°	129°	6 x 0,190	4,00
ALLA 133 P 814-J	DLLA 133 P 814	095000-505#		093400-8140	0°	133°	6 x 0,175	4,00
ALLA 133 P 888-J	DLLA 133 P 888	095000-6460		093400-8880	0°	133°	5 x 0,185	4,00
ALLA 138 P 934-J	DLLA 138 P 934	095000-6280		093400-9340	0°	138°	6 x 0,305	4,00
ALLA 139 P 851-J	DLLA 139 P 851	095000-5480		093400-8510	0°	139°	6 x 0,175	4,00
ALLA 139 P 887-J	DLLA 139 P 887	095000-6490		093400-8870	0°	139°	6 x 0,170	4,00
ALLA 139 P 925-J	DLLA 139 P 925	095000-6500		093400-9250	0°	139°	6 x 0,165	4,00
ALLA 142 P 793-J	DLLA 142 P 793	095000-0801		093400-7930	0°	142°	6 x 0,225	4,00
ALLA 142 P 852-J	DLLA 142 P 852	095000-1210		093400-8520	0°	142°	6 x 0,245	4,00
ALLA 143 P 761-J	DLLA 143 P 761	095000-0562		093400-7610	0°	143°	6 x 0,280	4,00
ALLA 144 P 690-J	DLLA 144 P 690	9709500-0145			0°	144°	7 x 0,160	4,00
ALLA 145 P 748-J	DLLA 45 P 748			093400-7480	0°	145°	6 x 0,215	4,00
ALLA 145 P 864-J	DLLA 145 P 864	095000-5930	DCRI107760	093400-8640	0°	145°	6 x 0,145	4,00
ALLA 145 P 870-J	DLLA 145 P 870	095000-5600	DCRI105600	093400-8700	0°	145°	6 x 0,150	4,00
ALLA 145 P 875-J	DLLA 145 P 875	095000-8750		093400-8750	0°	145°	6 x 0,160	4,00
ALLA 145 P 1024-J	DLLA 145 P 1024	095000-5931		093400-0240 093400-1024	0°	145°	6 x 0,140	4,00
ALLA 145 P 1031-J	DLLA 145 P 1031	095000-7500	DCRI107500		0°	145°	7 x 0,155	4,00
ALLA 145 P 1049-J	DLLA 145 P 1049				0°	145°	8 x 0,210	4,00
ALLA 145 P 1091-J	DLLA 145 P 1091				0°	145°	8 x 0,190	4,00
ALLA 146 P 768-J	DLLA 146 P 768			093400-7680	15°	146°	6 x 0,1875	4,00
ALLA 147 P 747-J	DLLA 147 P 747	095000-0570	DCRI100570	093400-7470	0°	147°	6 x 0,135	4,00
ALLA 147 P 962-J	DLLA 147 P 962	095000-7011		093400-9620	0°	147°	8 x 0,110	4,00
ALLA 148 P 763-J	DLLA 148 P 763-J	095000-0540			0°	148°	8 x 0,185	4,00
ALLA 148 P 764-J	DLLA 148 P 764	095000-0551			0°	148°	7 x 0,200	4,00
ALLA 148 P 765-J	DLLA 148 P 765	095000-0510	DCRI100510	093400-7650	0°	148°	6 x 0,180	4,00
ALLA 148 P 800-J	DLLA 148 P 800			093400-8000	0°	148°	6 x 0,165	4,00

[19]

FIRAD S.p.A. [®] - Via Barge 93, 12031 Bagnolo Piemonte (CN) - ITALY

www.firad.com – www.firad.it - contact: info@firad.it Phone (+39) 0175.392251 - Fax (+39) 0175.392540



FIRAD code	DENSO [®] Stamping	DENSO [®] Injector Code	DENSO [®] New injector code	DENSO [®] P/N	Engine angle	Spray angle	Holes	Needle diameter
ALLA 148 P 816-J	DLLA 148 P 816				0°	148°	7 x 0,150	4,00
ALLA 148 P 817-J	DLLA 148 P 817	095000-5084		093400-8170	0°	148°	6 x 0,120	4,00
ALLA 148 P 826-J	DLLA 148 P 826	095000-5190			0°	148°	7 x 0,160	4,00
ALLA 148 P 872-J	DLLA 148 P 872	095000-5650	DCRI105650		0°	148°	8 x 0,155	4,00
ALLA 148 P 915-J	DLLA 148 P 915				0°	148°	6 x 0,225	4,00
ALLA 148 P 924-J	DLLA 148 P 924	095000-6130	DCRI106130		0°	148°	7 x 0,125	4,00
ALLA 148 P 932-J	DLLA 148 P 932	095000-6240 095000-624002D	DCRI106240		0°	148°	8 x 0,125	4,00
ALLA 149 P 786-J	DLLA 149 P 786	095000-0761		093400-7860	18	149°	8 x 0,155	4,00
ALLA 149 P 1036-J	DLLA 149 P 1036	095000-7560			3°30'	149°	7 x 0,190	4,00
ALLA 150 P 24-J	DLLA 150 P 24				15°	150°	5 x 0,250	4,00
ALLA 150 P 59-J	DLLA 150 P 59			093400-5590	19°	150°	4 x 0,300	4,00
ALLA 150 P 61-J	DLLA 150 P 61				15°	150°	4 x 0,280	4,00
ALLA 150 P 815-J	DLLA 150 P 815	095000-7580	DCRI107580	093400-8150	0°	150°	6 x 0,115	4,00
ALLA 150 P 835-J	DLLA 150 P 835	095000-5214		093400-8350	0°	150°	6 x 0,200	4,00
ALLA 150 P 866-J	DLLA 150 P 866				16°	150°	6 x 0,170	4,00
ALLA 150 P 914-J	DLLA 150 P 914				12°	150°	6 x 0,170	4,00
ALLA 150 P 927-J	DLLA 150 P 927	095000-6222 095000-5940			0°	150°	8 x 0,170	4,00
ALLA 150 P 991-J	DLLA 150 P 991			093400-9910	0°	150°	6 x 0,225	4,00
ALLA 150 P 1052-J	DLLA 150 P 1052				12°	150°	8 x 0,190	4,00
ALLA 150 P 1059-J	DLLA 150 P 1059				16°	150°	6 x 0,170	4,00
ALLA 150 P 1113-J	DLLA 150 P 1113	095000-9690			0°	150°	6 x 0,150	4,00
ALLA 151 P 771-J	DLLA 151 P 771	095000-0722		093400-7710	0°	151°	5 x 0,215	4,00
ALLA 152 P 69-J	DLLA 152 P 69					152°	5 x 0,300	4,00
ALLA 152 P 798-J	DLLA 152 P 798	095000-5014			0°	152°	6 x 0,195	4,00
ALLA 152 P 805-J	DLLA 152 P 805	095000-5030		093400-8050	0°	152°	6 x 0,130	4,00
ALLA 152 P 862-J	DLLA 152 P 862	095000-6100	DCRI106980	093400-8620	0°	152°	6 x 0,145	4,00
ALLA 152 P 865-J	DLLA 152 P 865	095000-5510		093400-8650	0°	152°	8 x 0,190	4,00
ALLA 152 P 879-J	DLLA 152 P 879				0°	152°	6 x 0,120	4,00
ALLA 152 P 929-J	DLLA 152 P 929	093400-9290			0°	152°	8 x 0,215	4,00
ALLA 152 P 947-J	DLLA 152 P 947	095000-6250 09500-625002D	DCRI106250		0°	152°	8 x 0,150	4,00
ALLA 152 P 980-J	DLLA 152 P 980	095000-6980	DCRI106980	093400-9800	0°	152°	6 x 0,140	4,00
ALLA 152 P 981-J	DLLA 152 P 981				0°	152°	6 x 0,135	4,00
ALLA 152 P 989-J	DLLA 152 P 989	093400-9890			0°	152°	8 x 0,140	4,00
ALLA 152 P 1072-J	DLLA 152 P 1072	095000-8340			0°	152°	8 x 0,125	4,00

[20]

FIRAD S.p.A. [®] - Via Barge 93, 12031 Bagnolo Piemonte (CN) - ITALY

www.firad.com – www.firad.it - contact: info@firad.it Phone (+39) 0175.392251 - Fax (+39) 0175.392540



FIRAD code	DENSO® Stamping	DENSO® Injector Code	DENSO® New injector code	DENSO® P/N	Engine angle	Spray angle	Holes	Needle diameter
ALLA 152 P 1097-J	DLLA 152 P 1097				0°	152°	8 x 0,190	4,00
ALLA 153 P 884-J	DLLA 153 P 884	095000-5800	DCRI105800	093400-8840	0°	153°	7 x 0,110	4,00
ALLA 153 P 885-J	DLLA 153 P 885	095000-7060	DCRI107060		0°	153°	7 x 0,120	4,00
ALLA 153 P 958-J	DLLA 153 P 958				0°	153°	9 x 0,145	4,00
ALLA 155 P 1030-J	DLLA 155 P 1030				0°	153°	7 x 0,145	4,00
ALLA 155 P 1044-J	DLLA 155 P 1044				0°	155°	6 X 0,165	4,00
ALLA 154 P 669-J	DLLA 154 P 669				0°	154°	5 x 0,240	4,00
ALLA 154 P 881-J	DLLA 154 P 881	095000-6290			0°	154°	6 x 0,135	4,00
ALLA 155 P 16-J	DLLA 155 P 16			093400-5160	16°	155°	5 x 0,260	4,00
ALLA 155 P 84-J	DLLA 155 P 84				17°	155°	5 x 0,280	4,00
ALLA 155 P 683-J	DLLA 155 P 683				0°	155°	6 x 0,245	4,00
ALLA 155 P 753-J	DLLA 155 P 753	095000-0750	DCRI100750	093400-7530	0°	155°	7 x 0,155	4,00
ALLA 155 P 767-J	DLLA 155 P 767	095000-0582			0°	155°	6 x 0,160	4,00
ALLA 155 P 818-J	DLLA 155 P 818				0°	155°	8 x 0,125	4,00
ALLA 155 P 840-J	DLLA 155 P 840			093400-8400	0°	155°	6 x 0,160	4,00
ALLA 155 P 842-J	DLLA 155 P 842	095000-6591 095000-6593		093400-8420	0°	155°	6 x 0,205	4,00
ALLA 155 P 848-J	DLLA 155 P 848	095000-6350 095000-6353			0°	155°	6 x 0,170	4,00
ALLA 155 P 856-J	DLLA 155 P 856	095000-6603		093400-8560	0°	155°	7 x 0,185	4,00
ALLA 155 P 863-J	DLLA 155 P 863	095000-5921		093400-8630	0°	155°	8 x 0,125	4,00
ALLA 155 P 876-J	DLLA 155 P 876	095000-6040	DCRI107640		0°	155°	9 x 0,105	4,00
ALLA 155 P 880-J	DLLA 155 P 880	095000-7030	DCRI107780	093400-9700	0°	155°	8 x 0,125	4,00
ALLA 155 P 939-J	DLLA 155 P 939	095000-7670	DCRI107670		0°	155°	8 x 0,105	4,00
ALLA 155 P 941-J	DLLA 155 P 941	095000-6511			0°	155°	6 x 0,140	4,00
ALLA 155 P 960-J	DLLA 155 P 960				0°	153°30'	9 x 0,100	4,00
ALLA 155 P 965-J	DLLA 155 P 965	095000-6700		093400-9650	0°	155°	8 x 0,195	4,00
ALLA 155 P 970-J	DLLA 155 P 970	095000-7530		093400-9700	0°	155°	9 x 0,110	4,00
ALLA 155 P 971-J	DLLA 155 P 971	095000-8061 095000-7180		093400-9710	0°	155°	9 x 0,100	4,00
ALLA 155 P 985-J	DLLA 155 P 985	095000-5890	DCRI107730		0°	155°	8 x 0,130	4,00
ALLA 155 P 1025-J	DLLA 155 P 1025	095000-7781			0°	155°	8 x 0,130	4,00
ALLA 155 P 1044-J	DLLA 155 P 1044	095000-6520			0°	155°	6 x 0,165	4,00
ALLA 155 P 1062-J	DLLA 155 P 1062	095000-8290	DCRI107780	193400-0620	0°	155°	8 x 0,125	4,00
ALLA 155 P 1090-J	DLLA 155 P 1090			093400-1090	19°	155°	7 x 0,175	4,00
ALLA 156 P 799-J	DLLA 156 P 799	095000-5004			0°	156°	6 x 0,180	4,00
ALLA 156 P 910-J	DLLA 156 P 910			093400-9100	0°	156°	6 x 0,145	4,00

[21]

FIRAD S.p.A. ® - Via Barge 93, 12031 Bagnolo Piemonte (CN) - ITALY

www.firad.com – www.firad.it - contact: info@firad.it Phone (+39) 0175.392251 - Fax (+39) 0175.392540



FIRAD code	DENSO® Stamping	DENSO® Injector Code	DENSO® New injector code	DENSO® P/N	Engine angle	Spray angle	Holes	Needle diameter
ALLA 157 P 855-J	DLLA 157 P 855	095000-5450		093400-8550	0°	157°	6 x 0,150	4,00
ALLA 157 P 969-J	DLLA 157 P 969	095000-8621			0°	157°	6 x 0,150	4,00
ALLA 158 P 834-J	DLLA 158 P 834	095000-5226		093400-8340	0°	158°	8 x 0,210	4,00
ALLA 158 P 844-J	DLLA 158 P 844	095000-5342			0°	158°	7 x 0,145	4,00
ALLA 158 P 854-J	DLLA 158 P 854	095000-5471 095000-5474		093400-8540	0°	158°	7 x 0,160	4,00
ALLA 158 P 909-J	DLLA 158 P 909	095000-5972			0°	158°	8 x 0,200	4,00
ALLA 158 P 984-J	DLLA 158 P 984	095000-8100		093400-9840	0°	158°	7 x 0,160	4,00
ALLA 158 P 1096-J	DLLA 158 P 1096	095000-8901		093400-1096	0°	158°	7 x 0,160	4,00
ALLA 158 P 1092-J	DLLA 158 P 1092				0°	158°	7 x 0,145	4,00
ALLA 160 P 3-J	DLLA 160 P 3			093400-5030	16°	160°	5 x 0,285	4,00
ALLA 160 P 50-J	DLLA 160 P 50			093400-5500	16°	160°	5 x 0,280	4,00

Denso nozzle 3rd Generation geometric features (\varnothing 3,50 mm)

FIRAD code	DENSO® Stamping	DENSO® Injector Code	DENSO® New injector code	DENSO® P/N	Engine angle	Spray angle	Holes	Needle diameter
ALLA 133 G3S19	G3S19	095000-0590			0°	133°	6 x 0,135	3,50
ALLA 144 G3S32	G3S32	295050-0560	DCRI300560		0°	144°	8 x 0,140	3,50
ALLA 144 G3S33	G3S33	295050-0810	DCRI300810		0°	144°	6 x 0,140	3,50
ALLA 145 G3S45	G3S45	295050-0890			0°	145°	7 x 0,145	3,50
ALLA 145 G3S50	G3S50				0°	145°	7 X 0,145	3,50
ALLA 146 G3S11	G3S11				0°	146°	7 X 0,155	3,50
ALLA 146 G3S53	G3S53	529 6723 05T 14070 CRN5274954			0°	146°	8 x 0,140	3,50
ALLA 146 G3S112	G3S112	5344766 2200 07S00263			0°	146°	8 x 0,145	3,50
ALLA 148 G3S77	G3S77	295050-1760			0°	148°	8 x 0,125	3,50
ALLA 150 G3S7	G3S7				0°	150°	6 x 0,125	3,50
ALLA 151 G3S10	G3S10	295050-0300	DCRI300300		0°	151°	8 x 0,150	3,50

[22]

FIRAD S.p.A. ® - Via Barge 93, 12031 Bagnolo Piemonte (CN) - ITALY

www.firad.com – www.firad.it - contact: info@firad.it Phone (+39) 0175.392251 - Fax (+39) 0175.392540



FIRAD code	DENSO [®] Stamping	DENSO [®] Injector Code	DENSO [®] New injector code	DENSO [®] P/N	Engine angle	Spray angle	Holes	Needle diameter
ALLA 133 G3S19	G3S19	095000-0590			0°	133°	6 x 0,135	3,50
ALLA 151 G3S79	G3S79	1590 04S 01012			0°	151°	6 x 0,225	3,50
ALLA 151 G3S93	G3S93				0°	151°	8 x 0,210	3,50
ALLA 152 G3S37	G3S37				0°	152°	8 x 0,140	3,50
ALLA 152 G3S51	G3S51	166005X30A			0°	152°	8 x 0,160	3,50
ALLA 152 G3S56	G3S56	5284016 G3AM 12Q00065			18°	152°	6 x 0,160	3,50
ALLA 152 G3S82	G3S82	D720112010 E1EC011610 01T01693			0°	152°	8 x 0,140	3,50
ALLA 152 G3S92	G3S92				0°	152°	6 x 0,140	3,50
ALLA 153 G3S48	G3S48				0°	153°	7 x 0,120	3,50
ALLA 153 G3S41	G3S41				0°	153°	7 x 0,135	3,50
ALLA 153 G3S120	G3S120	5365904 G3AM 06T03586			18°	153°	6 x 0,160	3,50
ALLA 153 G3S127	G3S127	5367913 G3AM 07T02467			18°	153°	7 x 0,165	3,50
ALLA 154 G3S6	G3S6	295050-0460 095050-052X	DCRI300460		0°	154°	8 x 0,125	3,50
ALLA 154 G3S47	G3S47				0°	154°	8 x 0,115	3,50
ALLA 154 G3S99	G3S99				0°	154°	8 x 0,190	3,50
ALLA 158 G3S91	G3S91	15208630 11T01106 8982438630			0°	158°	7 x 0,160	3,50



Denso nozzle 4th Generation

FIRAD code	DENSO [®] Stamping	DENSO [®] Injector Code	DENSO [®] New injector code	DENSO [®] P/N	Engine angle	Spray angle	Holes	Needle diameter
ALLA 150 G4S011	G4S011	295700-0140			0°	150°	8 x 0,125	4,00
ALLA 155 G4S009	G4S009	23670-0E010			0°	155°	9 x 0,110	4,00
ALLA 155 G4S023	G4S023				0°	155°	8 x 0,130	4,00
ALLA 146 GCF1	GCF1	095000-1020			0°	146°	8 x 0,140	4,00

Denso piezoelectric nozzle 2nd Generation

FIRAD code	DENSO [®] Stamping	DENSO [®] Injector Code	DENSO [®] New injector code	DENSO [®] P/N	Engine angle	Spray angle	Holes	Needle diameter
ALLA 156 G2P3	G2P3	295900-0110	DCRI200110		0°	156°	10 x 0,130	4,00

Denso piezoelectric nozzle 3rd Generation

FIRAD code	DENSO [®] Stamping	DENSO [®] Injector Code	DENSO [®] New injector code	DENSO [®] P/N	Engine angle	Spray angle	Holes	Needle diameter
ALLA 152 G3P012	G3P012				0°	152°	10 x 0,120	4,00
ALLA 152 G3P004	G3P004							4,00
ALLA 152 G3P016	G3P016	295900-0420			0°	152°	9 x 0,10	4,00
ALLA 154 G3P005	G3P005							4,00
ALLA 154 G3P017	G3P017	295900-0430						4,00
ALLA 155 G3P020	G3P020	295900-0480			0°	155°	8	4,00

